

:NIS - Network Information System for the Water Utility / City of Vienna

NIS - The Water Network Information System of the City of Vienna

This project covers the design and implementation of a network information- and management system for the water network of the City of Vienna. It is used throughout the organization (around 600 employees) to support all network related work (network extension, construction, maintenance, customer relationship management, workforce automation).

The Vienna water utility NIS Spatial Information system:

- Strategic tool for management decisions (extensions)
- Operative tool for network management
- Easy to use information system based on standards

Digital documentation of:

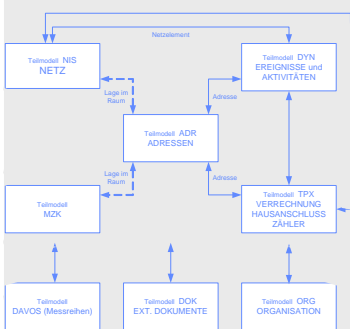
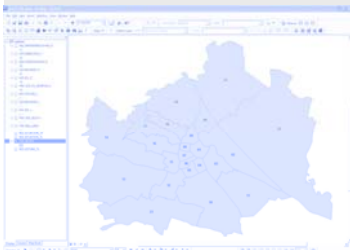
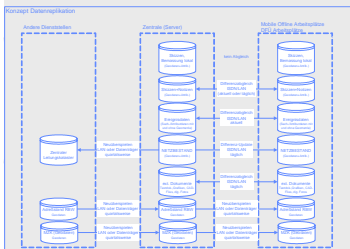
- Main, branch and connecting lines
- Technical instrumentation (Valves, Fittings, Meters)
- Technical projects
- Survey Data
- Dynamic Workflow Information
- Telecommunication and control network

Incorporation of existing municipal and federal databases and datasets:

- Digital cadastre and address model
- Digital elevation model
- Digital survey model (as built information)
- Customer information (IBM host)

The Modules of NIS:

- **Geodataserver:**
Open Basis for all data: Oracle 9i Spatial plus ArcSDE 9.0
- **Editing Stations:**
ArcGIS 9.0 plus ms.GIS extensions
- **NIS Clients:**
Comprehensive information and workflows for all users
- **Offline NIS Clients:**
Comprehensive information and workflow support for mobile forces



ms.GIS informationssysteme
gesellschaft m.b.h.
bahnhofplatz 1a
2340 mödling/vienna, austria
t +43.2236.45501.0
f +43.2236.45501.555
www.msgis.com
msgis@msgis.com

